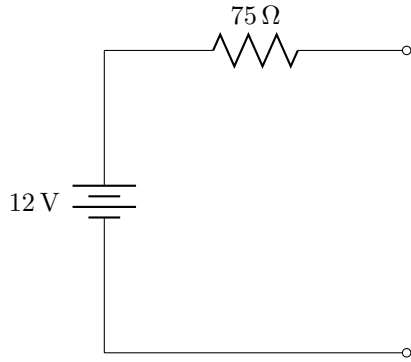


1 Example

Convert a voltage source to an equivalent current source:



$$I_S = \frac{V_S}{R_S} = \frac{12V}{75\Omega} = 160mA$$

