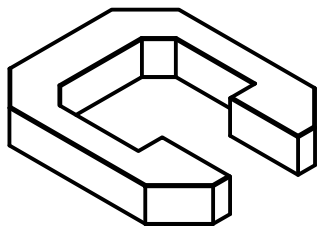
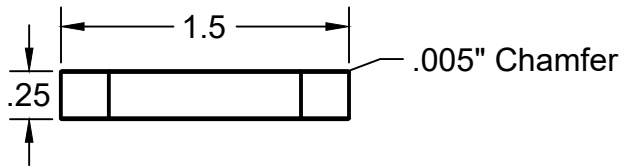


Part is symmetrical along X axis.



PROJECT

**Wk5-Excercises**

TITLE

**4-1**

**Aluminum 6061**

APPROVED

SIZE

CODE

DWG NO

REV

CHECKED

A

DRAWN

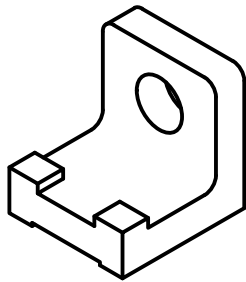
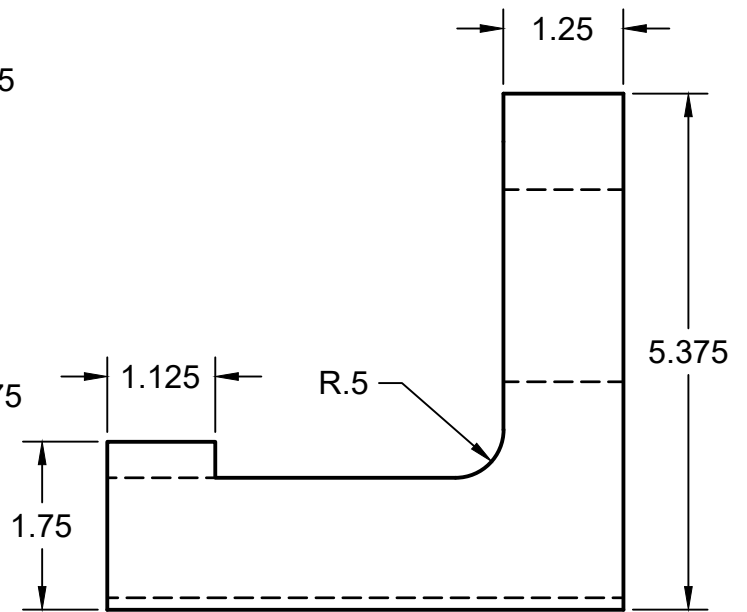
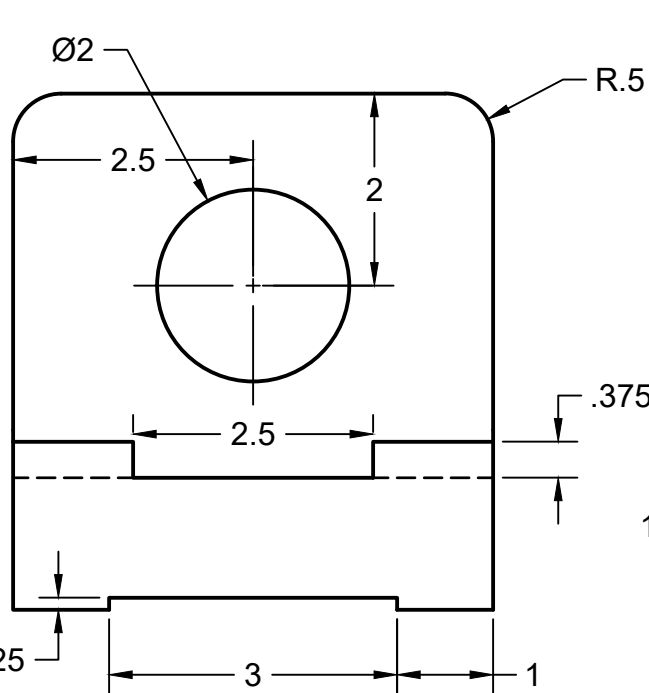
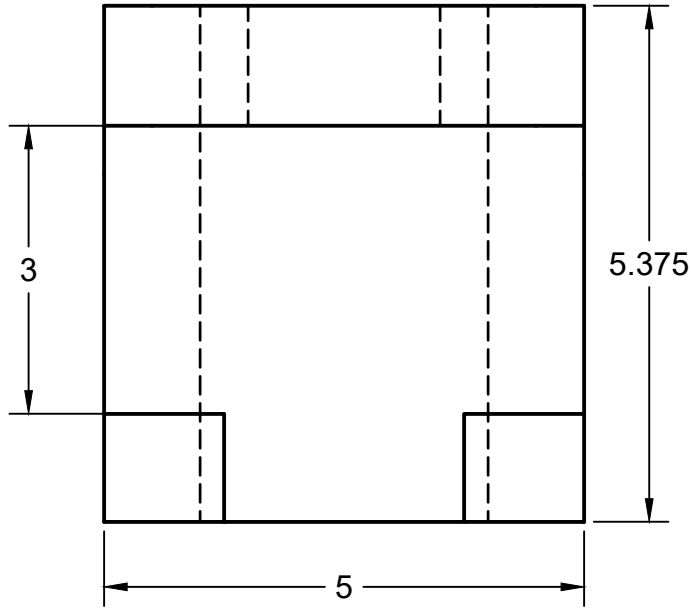
Eric Bredder

2/20/2019

SCALE 1:1

WEIGHT

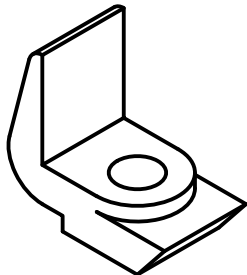
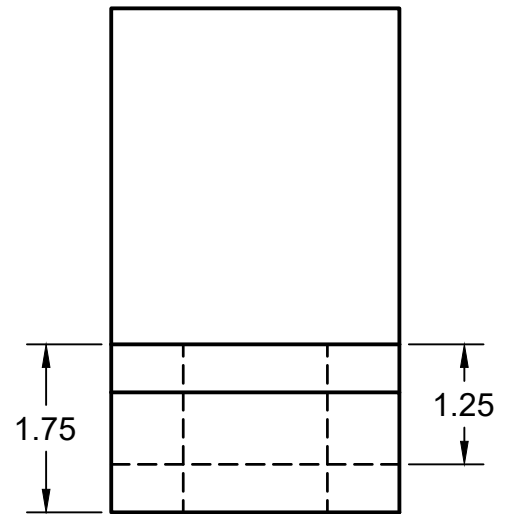
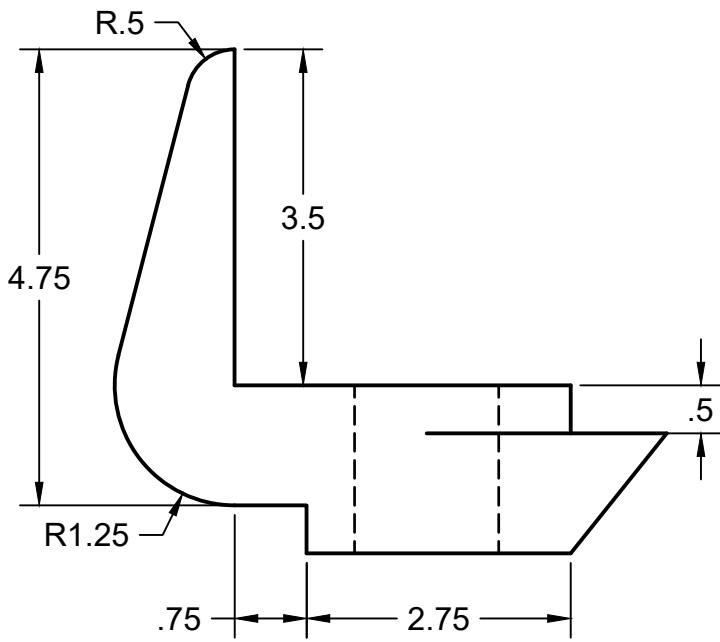
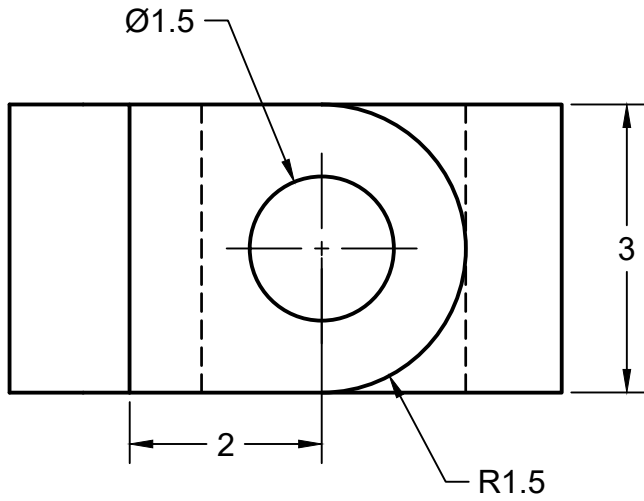
SHEET 1/6



PROJECT  
**Wk5-Excercises**

TITLE  
**4-2  
Stainless Steel**

APPROVED	SIZE	CODE	DWG NO	REV
CHECKED	A			
DRAWN Eric Bredder 2/20/2019	SCALE 1:2	WEIGHT	SHEET 2/6	



PROJECT

**Wk5-Excercises**

TITLE

**4-3  
ABS Plastic**

APPROVED

CHECKED

DRAWN

Eric Bredder

2/20/2019

SIZE

A

CODE

DWG NO

REV

DRAWN

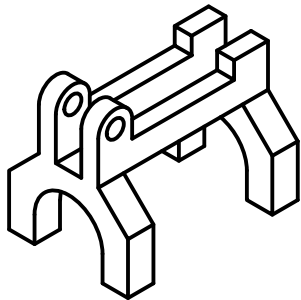
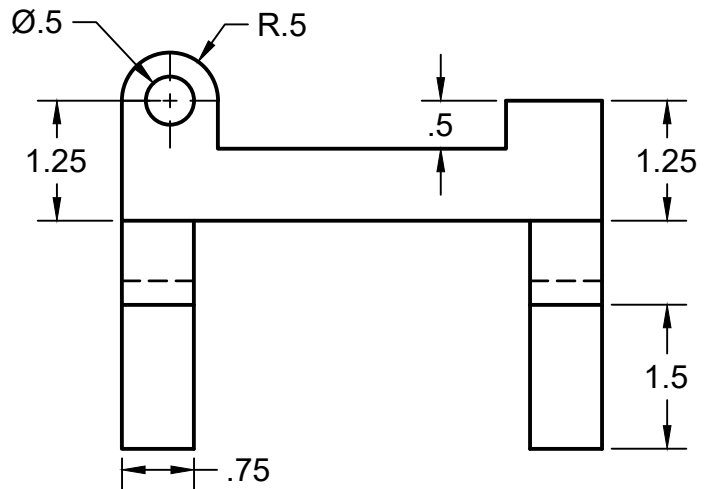
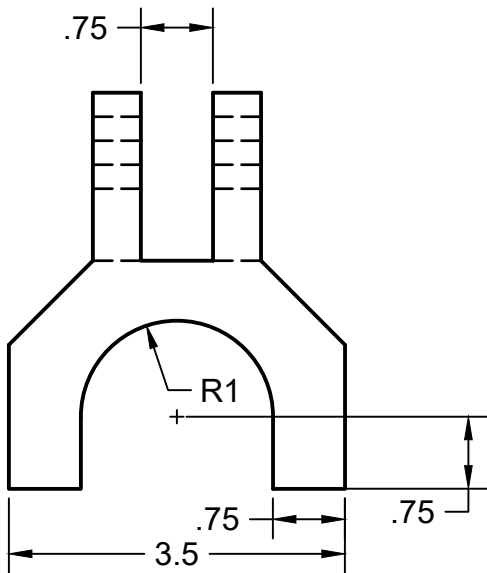
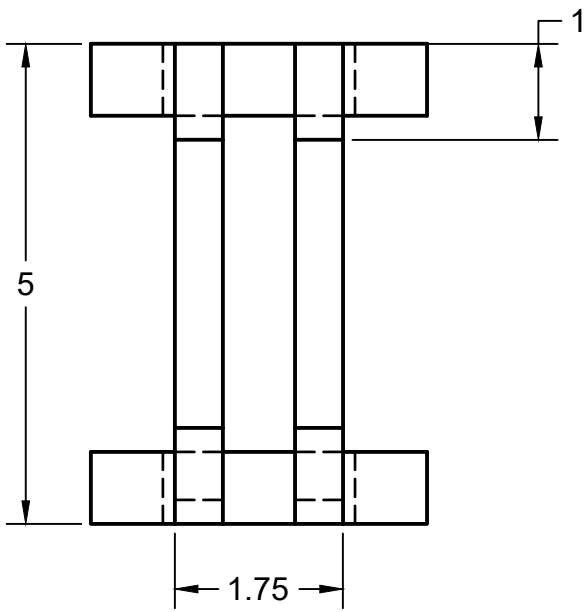
Eric Bredder

2/20/2019

SCALE 1:2

WEIGHT

SHEET 3/6



PROJECT

**Wk5-Excercises**

TITLE

**4-4**

**Cast Iron**

APPROVED

SIZE

CODE

DWG NO

REV

CHECKED

A

DRAWN

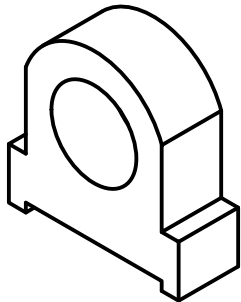
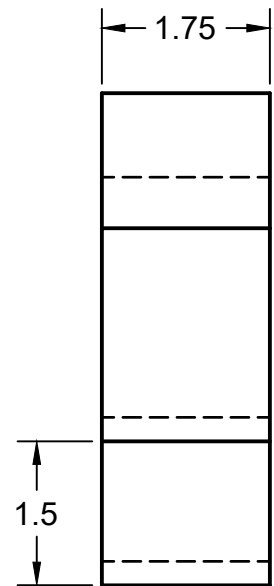
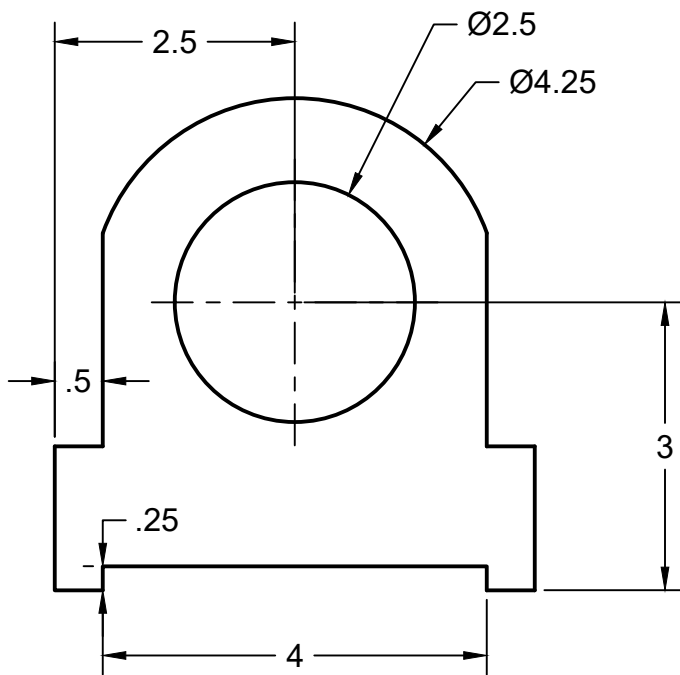
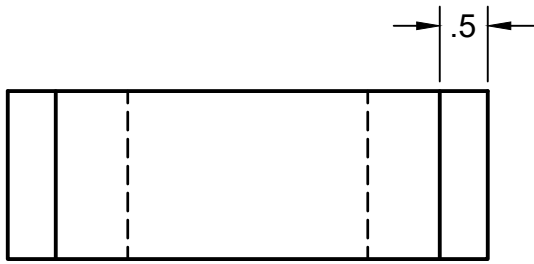
Eric Bredder

2/20/2019

SCALE 1:2

WEIGHT

SHEET 4/6



PROJECT

**Wk5-Excercises**

TITLE

**4-5  
Cast Iron**

APPROVED

SIZE

CODE

DWG NO

REV

CHECKED

A

DRAWN

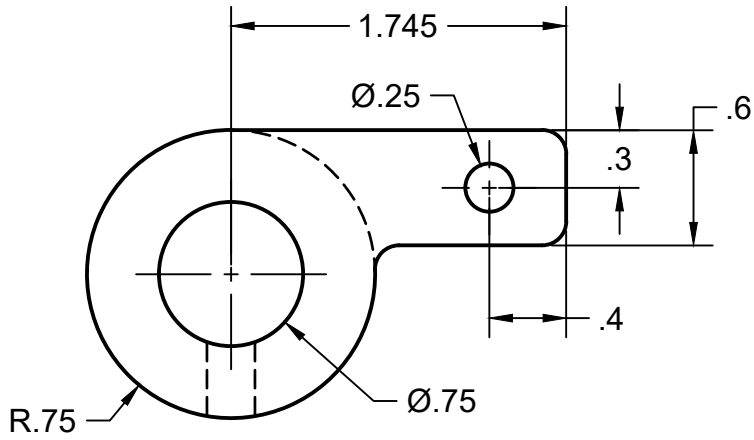
Eric Bredder

2/20/2019

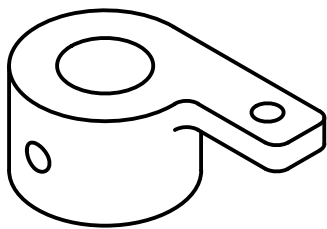
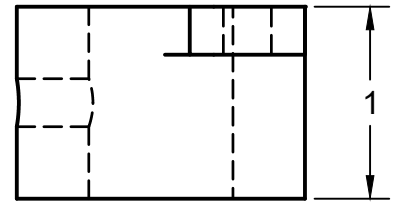
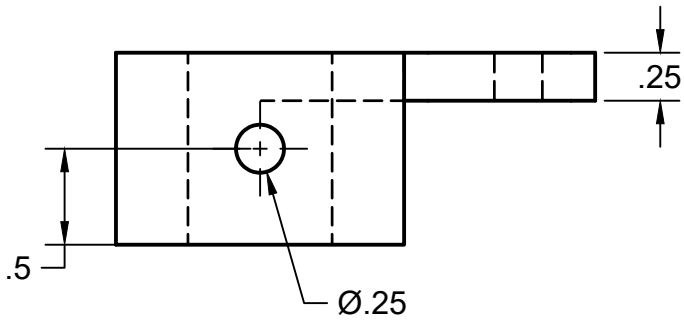
SCALE 1:2

WEIGHT

SHEET 5/6



Rounds/Fillets: R.125



PROJECT

**Wk5-Excercises**

TITLE

**4-6**

**Aluminum-6061**

APPROVED

SIZE

CODE

DWG NO

REV

CHECKED

A

DRAWN

Eric Bredder

2/20/2019

SCALE 1:2

WEIGHT

SHEET 6/6