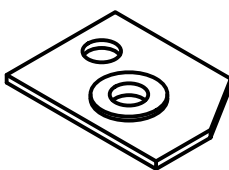
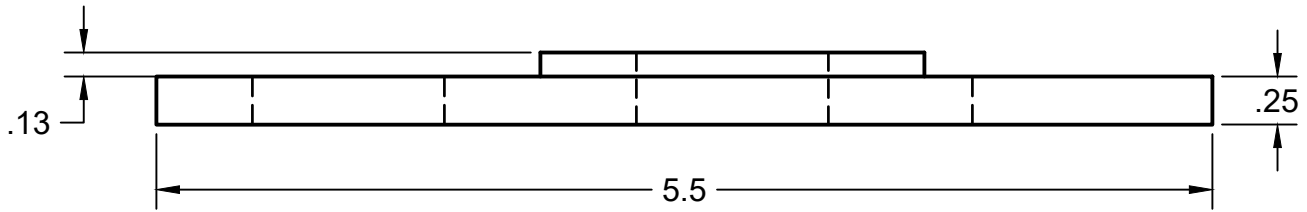
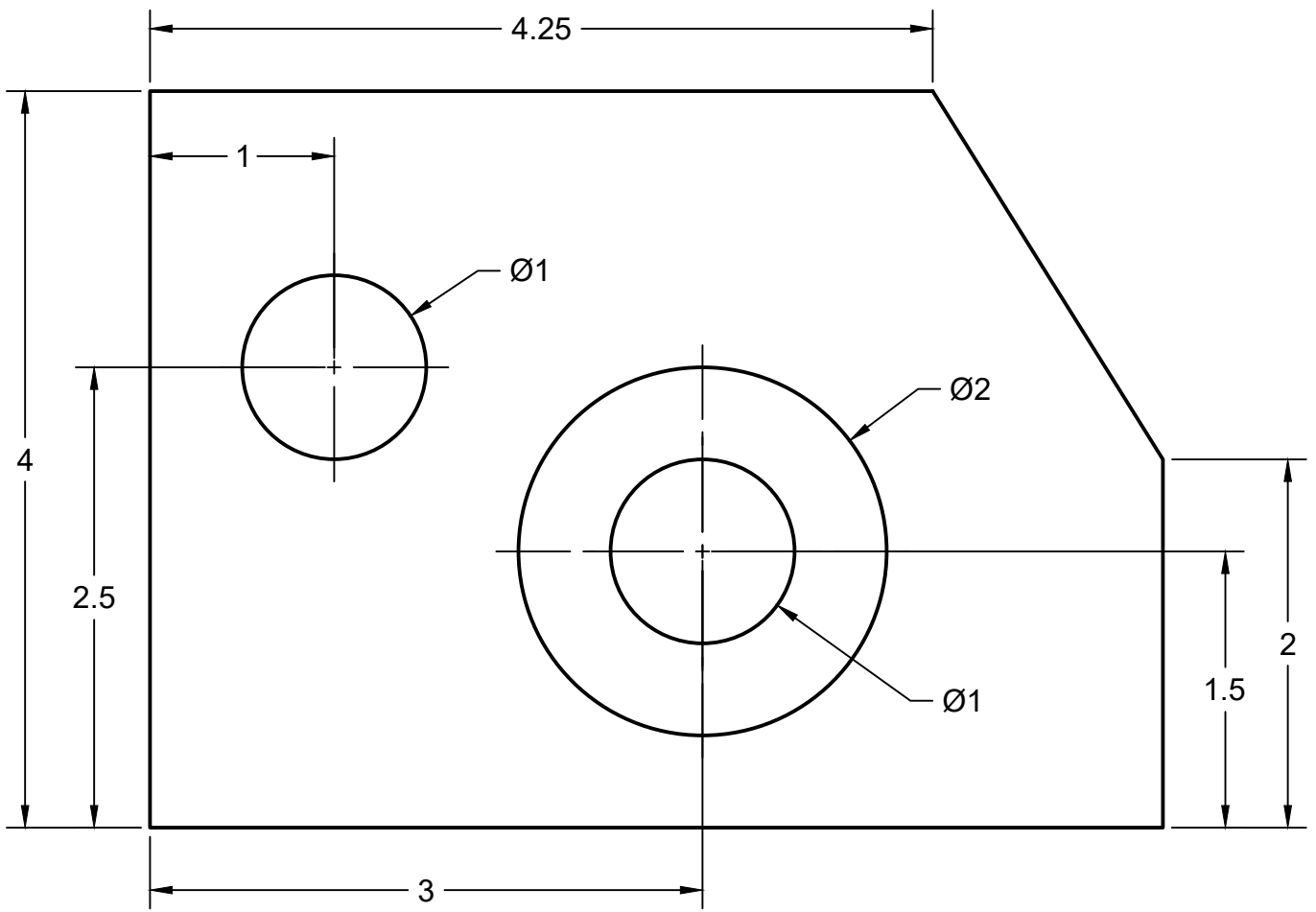


PROJECT
Wk4-Excercises

TITLE
3-1

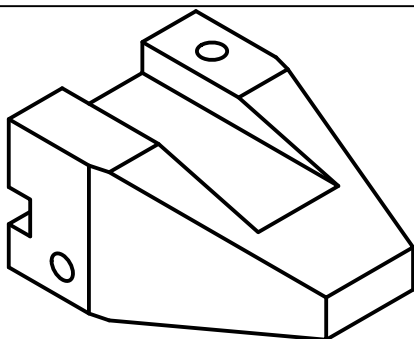
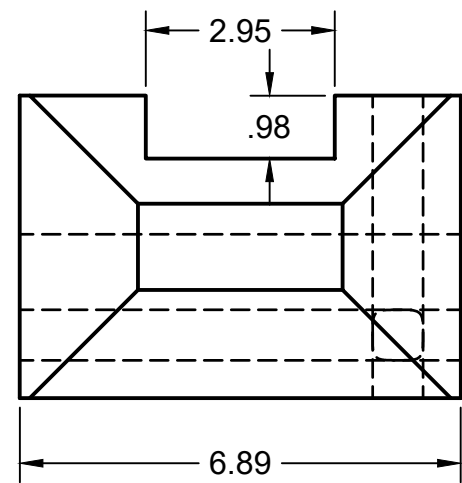
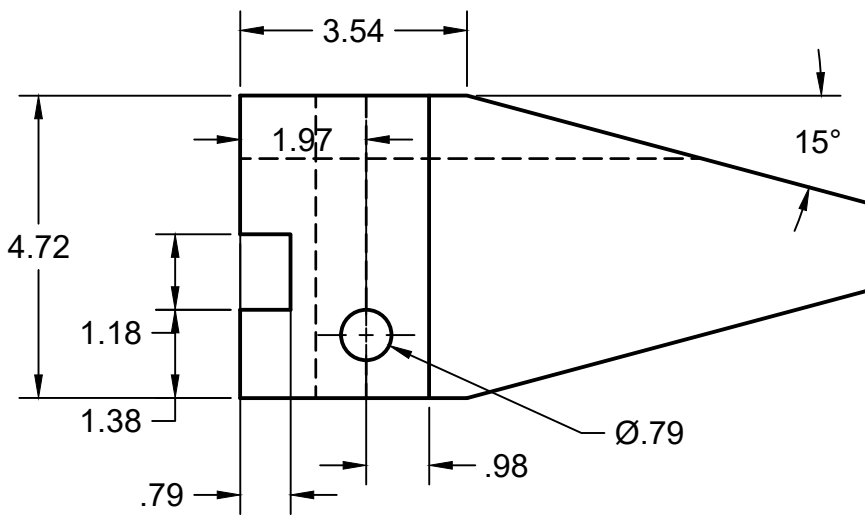
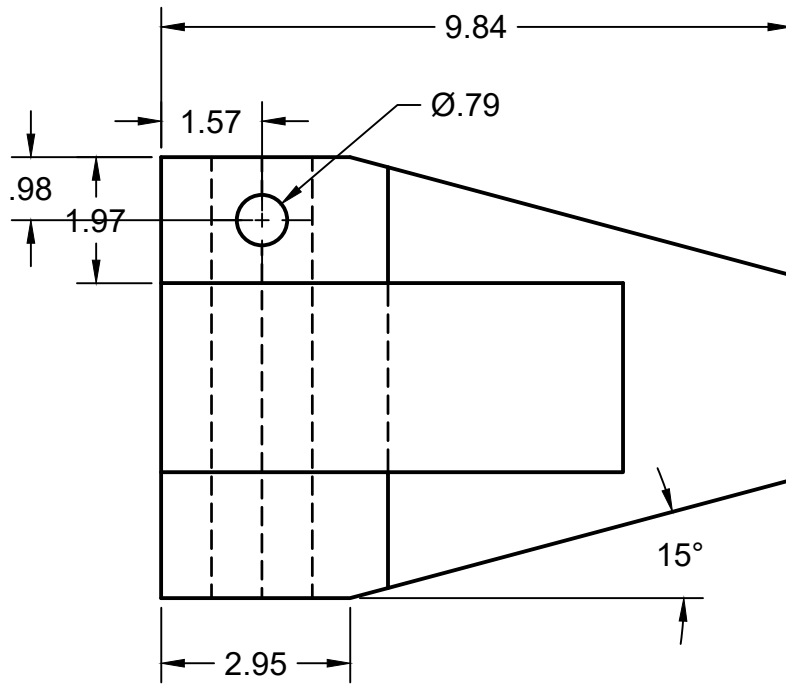
APPROVED	SIZE	CODE	DWG NO	REV
CHECKED	A			
DRAWN Eric Bredder 2/15/2019	SCALE	WEIGHT	SHEET 1/6	



PROJECT
Wk4-Excercises

TITLE
3-2

APPROVED	SIZE	CODE	DWG NO	REV
CHECKED	A			
DRAWN	Eric Bredder	2/15/2019	SCALE	WEIGHT
			SHEET 2/6	



PROJECT

Wk4-Excercises

TITLE

3-3

APPROVED

CHECKED

DRAWN

Eric Bredder

2/15/2019

SIZE

A

SCALE

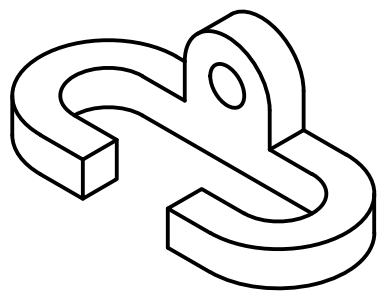
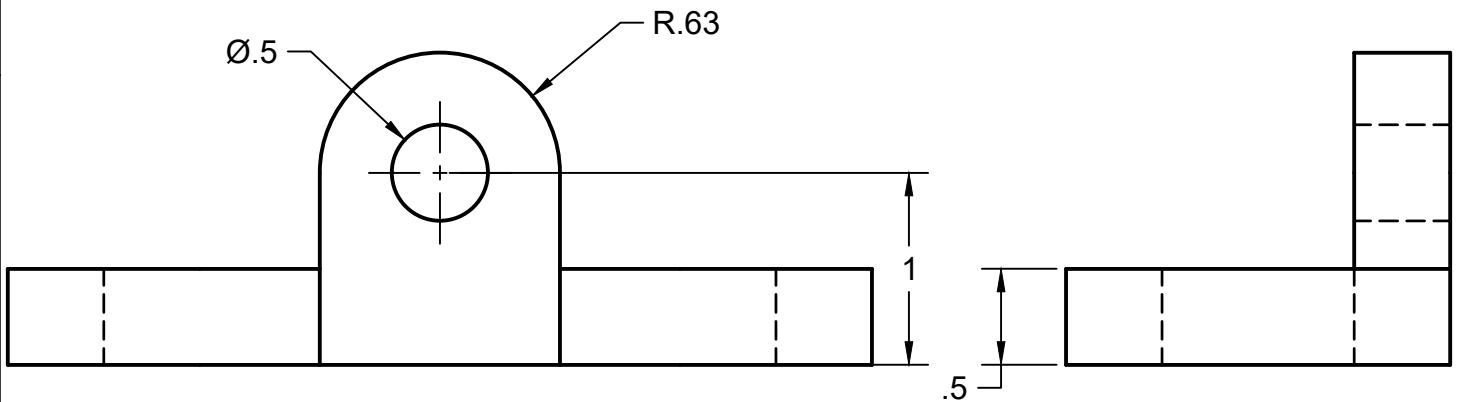
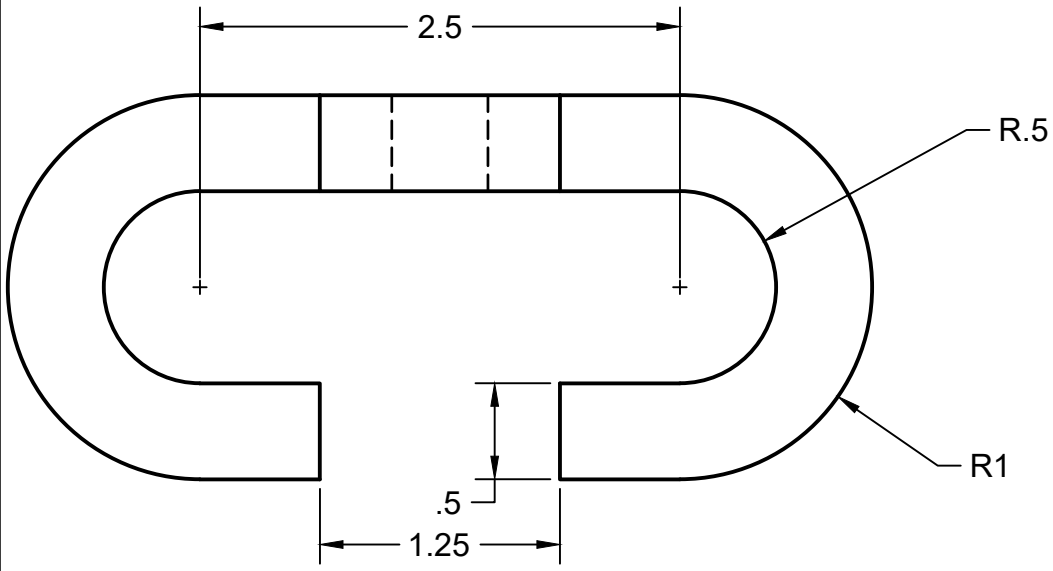
CODE

DWG NO

WEIGHT

REV

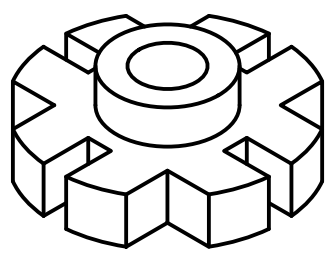
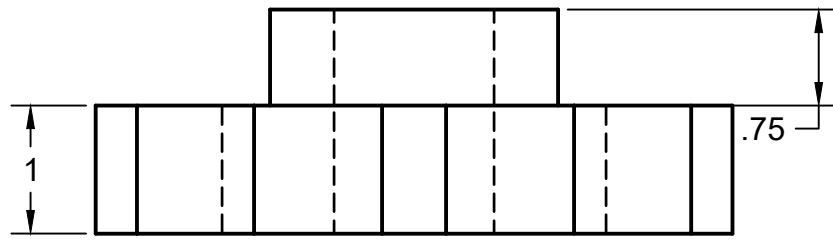
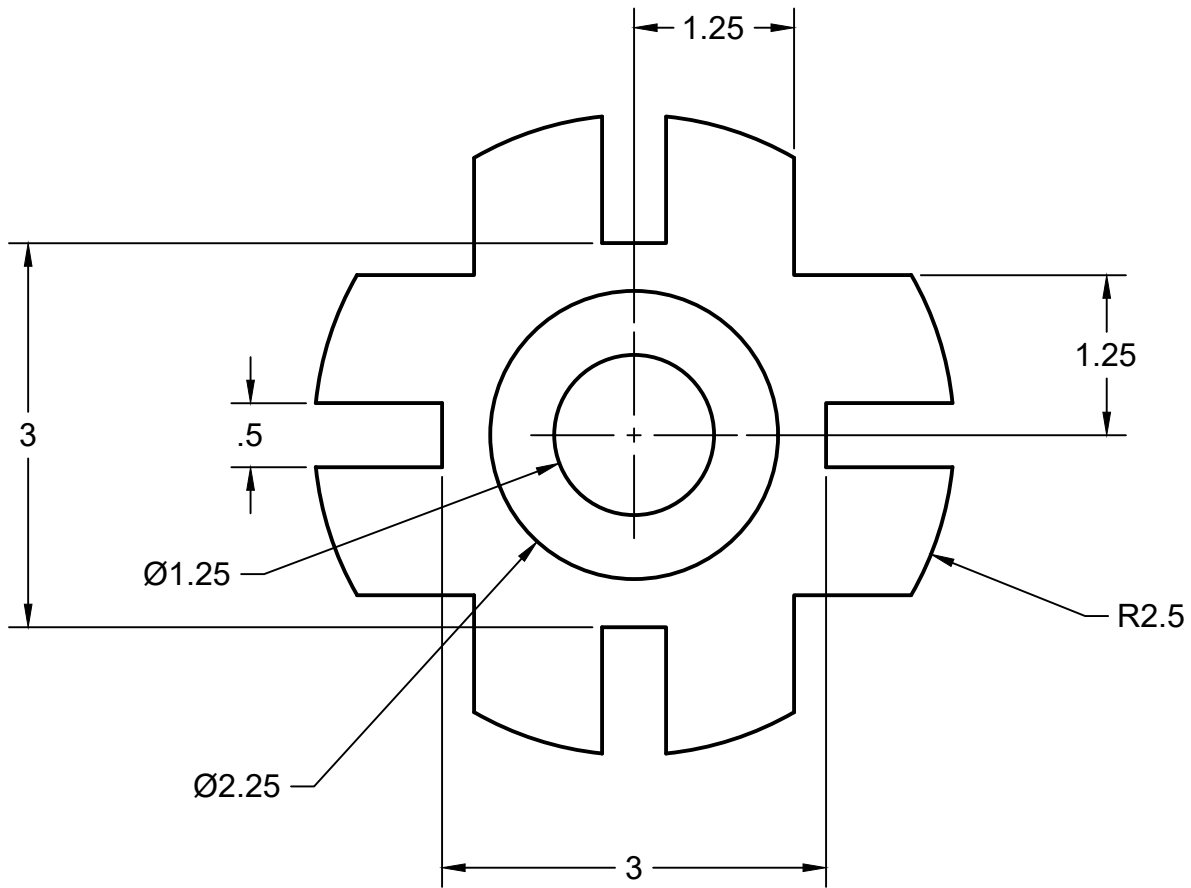
SHEET 3/6



PROJECT
Wk4-Excercises

TITLE
3-4

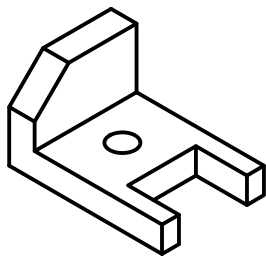
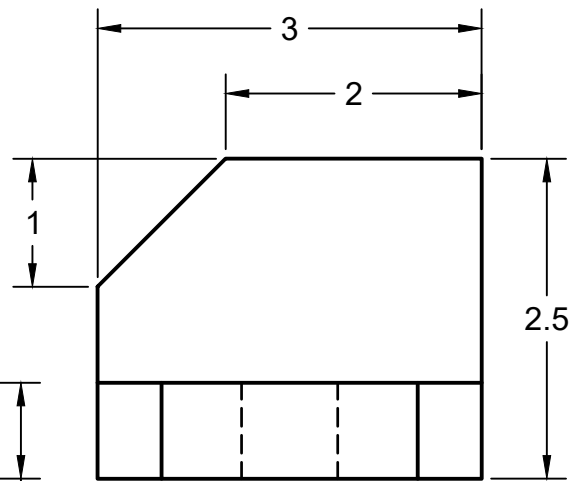
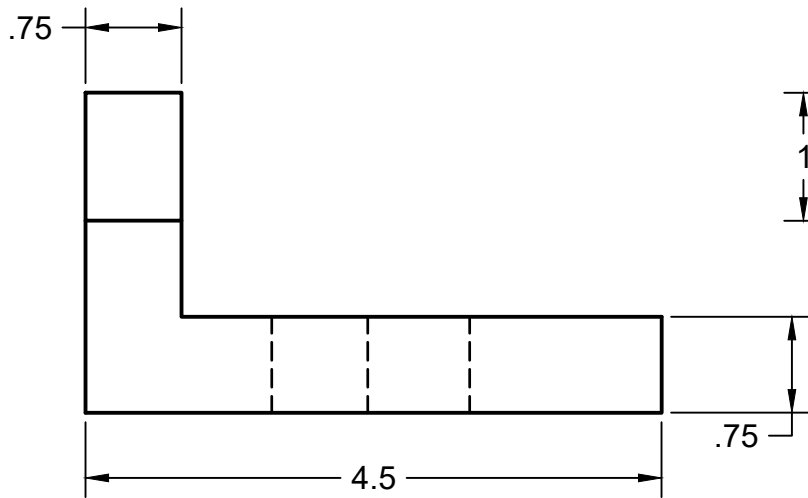
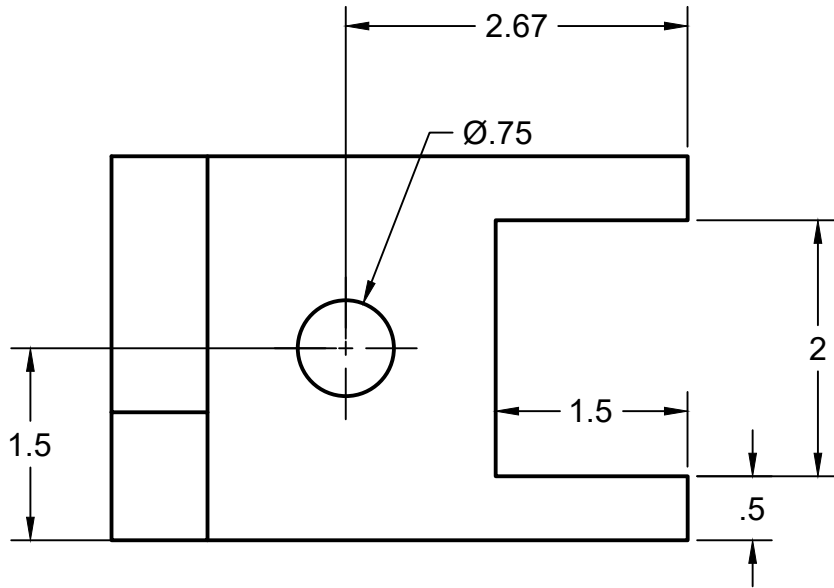
APPROVED	SIZE	CODE	DWG NO	REV
CHECKED	A			
DRAWN	Eric Bredder	2/15/2019	SCALE	WEIGHT
			SHEET 4/6	



PROJECT
Wk4-Excercises

TITLE
3-5

APPROVED	SIZE	CODE	DWG NO	REV
CHECKED	A			
DRAWN	Eric Bredder	2/15/2019	SCALE	WEIGHT
				SHEET 5/6



PROJECT

Wk4-Excercises

TITLE

3-6

APPROVED

CHECKED

DRAWN

Eric Bredder

2/15/2019

SIZE

A

CODE

DWG NO

REV

DRAWN

Eric Bredder

2/15/2019

SCALE

WEIGHT

SHEET 6/6